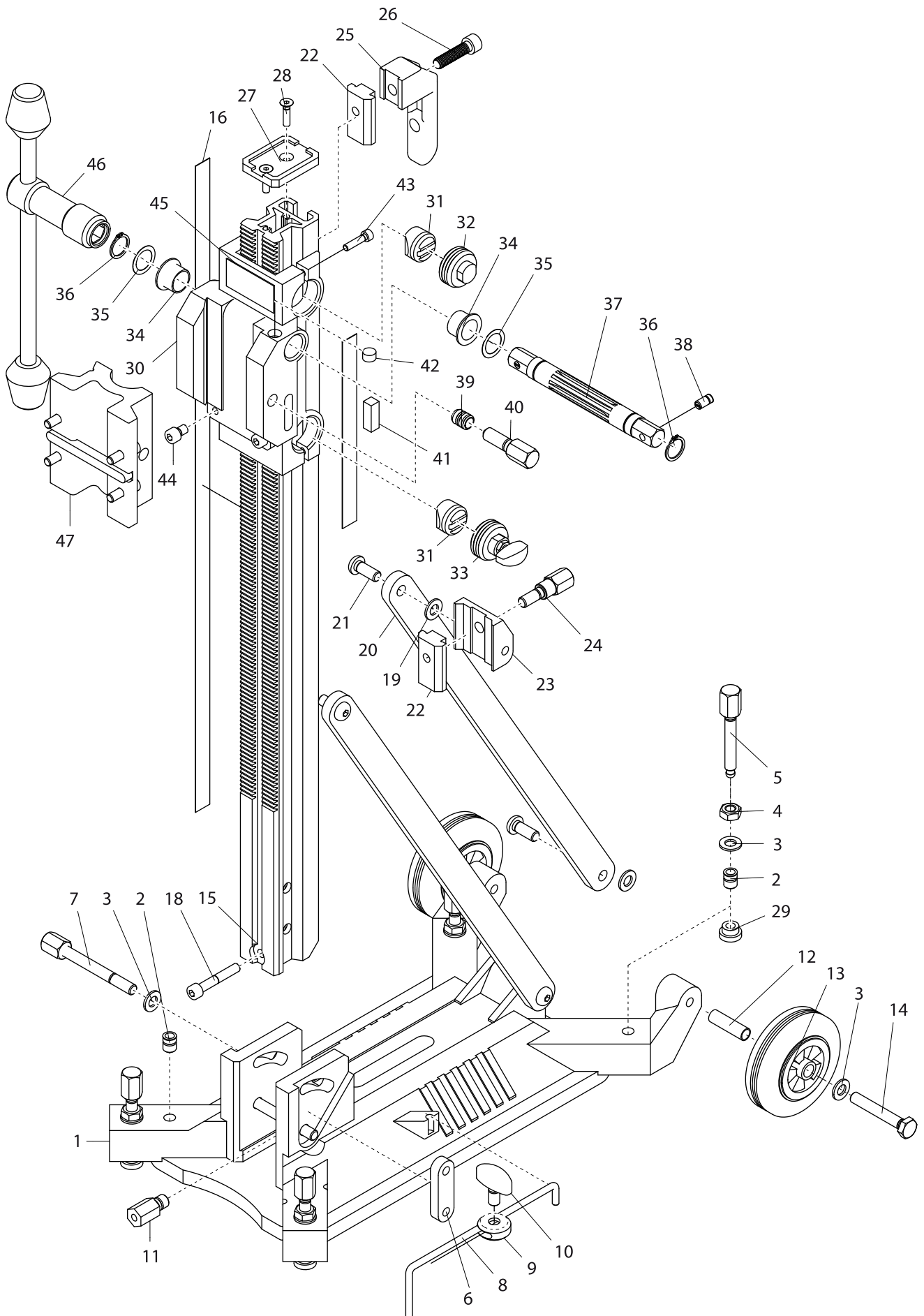




A-2510L

POS.	OMSCHRIJVING	ONDERDEELNR
1	GARDENA TULE MESSING	XAM-F20150
2	RING 13x18x1	XAM-F43350
3	KOGELKRAAN	ZZ-KK02500
4	FLOWMETER	XAM-N14082
5	WATERSLANG	XAM-N14081
6	CILINDERKOPBOUT BZK M5x20	XAM-FBC720
7	WATERKOP CARAT	XAM-N25022
8	KEERRING 40X55X6	XAM-E30A40
9	KEERRING 40X62X6	XAM-E30A41
10	VULRING	XAM-N25029
11	KEERRING 40X50X7	XAM-E3068B
12	VOORAS 5/4" - 1/2"	XAM-N25046
13	HOOFDAS	XAM-N25020
14	AXIAAL KOGELLAGER 51106	XAM-EN015A
15	NAALDLAGER 30/20	XAM-EC050A
16	VERSNELLINGSBAK 2500W CARAT	XAM-N25001B
17	OLIEPOMP	XAM-N25030
18	KOGELLAGER 6201	XAM-EA020B
19	TANDWIELAS	XAM-N25008
20	SPIE 4X4X10	XAM-F6R110
21	TANDWIEL 2500W	XAM-N25006
22	SHIMRING 15X21	XAM-FS15P1
23	AXIAALNAALDLAGERSCHIJF 3047	XAM-EN0102
24	AXIAAL LAGER KRANS 3047	XAM-EN0103
25	DRUKRING	XAM-N25018
26	SLIPRING	XAM-N25016
27	SCHAKELTANDWIEL	XAM-N25015
28	NAALDLAGER 26X30	XAM-EC070A
29	BORGRING	XAM-N25019
30	AFSTANDSRING	XAM-N25019A
31	SCHOTELVEER 45X22,4	XAM-FR9450
32	ZESKANTMOER TBV SLIPKOPPELING	XAM-N25080
33	KOGELLAGER 6302	XAM-EA037B
34	SCHAKELAS	XAM-N25009
35	KOGEL ROND 3.97	XAM-EW0031
36	DRUKVEER	XAM-N25045
37	TANDWIEL	XAM-N25012
38	SCHAKELTANDWIEL	XAM-N25011
39	TANDWIEL	XAM-N25010
40	SEEGERRING 16MM	XAM-FR0160
41	SPIE 6X6X45	XAM-F6R345
42	SHIMRING 25x35	XAM-FS25P2
43	SEEGERRING 24mm	XAM-FR0240
44	SCHAKELKNOP COMPLEET 2500/3300	XAM-N18006C3
45	O-RING 21x2,0	XAM-E4021B
46	ANKER COMPLEET A-2510	XAM-N25014CH
47	CILINDERKOPBOUT BZK M5X60	XAM-FBC760
48	SLUITRING M5	XAM-FS0500
49	O-RING 109X2,0	XAM-E4099B
50	NAALDHUIS 2020	XAM-EB031A
51	TUSSENFLENS TBV A-2510	XAM-N250241
52	TANDVEERRING M4	XAM-FV04TV
53	CILINDERSCHROEF M4x10	XAM-FZ4110
54	AARDEKABEL	XAM-N25063
55	VERZONKEN SCHROEF 3,5x8	XAM-FQ2408
56	O-RING 40X2,0	XAM-E4039B
57	KEERRING 15X24X5	XAM-E30A15
58	PASPEN 4X16	XAM-F6PF16
59	NAALDHUIS 1412	XAM-EB018A
60	TANDWIELAS A-2510	XAM-N25005

61	KOGELLAGER 6203	XAM-EA036F
62	SEEGERRING 17mm	XAM-FR0170
63	ANKER 2500W	XAM-N25014
64	KOGELLAGER 629	XAM-EA007D
65	LAGERKAP	XAM-N25065
66	LUCHTRING 2500W	XAM-N25026A
67	STATOR 2500W	XAM-N25013
68	CILINDERKOPBOUT BZK M6X100	XAM-FBC8100
69	VULBUS	XAM-N25028
70	MOTORHUIS CARAT 2500W	XAM-N25025A
71	LAMINAAT STICKER TBV TYPEPLAAT	XAM-N140281
72	TYPEPLAATJE A-2510	XAM-N25071
73	PRINTPLAAT COMPLEET 2500W	XAM-N25042
74	EINDEKSEL	XAM-N25044
75	CILINDERKOPBOUT BZK M5X35	XAM-FBC735
76	SCHAKELAAR 20A	XAM-N25056
77	KOOLBORSTELDOP	XAM-N25041
78	KOOLBORSTELSET A-2510/A-3310	XAM-N25040
79	KOOLBORSTELHOUDER 2500W	XAM-N25035A
80	3-KLEUREN LED	XAM-N25055
81	STELSCHROEF M5x10	XAM-FIK051
82	CONDENSATOR	XAM-N25064
83	ELECTROKABEL INCL PRCD	XAM-N25061
84	AFDEKPLAATJE SCHAKELAAR	XAM-N25058
85	HANDLEIDING A-2510	XAM-N25075
86	OLIE VERSNELLINGSBAK	XAM-N25078
87	STEEKSLEUTEL 41	ZZ-SS41000
88	STEEKSLEUTEL 32	ZZ-SS32000
89	CIRCLIP SW20	XAM-FR4200
90	RING TBV SLIPKOPPELING	XAM-N25021
94	STEEKSLEUTEL 36	ZZ-SS36000
95	PAKKING TBV A-2510/A-3310	XAM-N25087
96	PLAATJE SCHAKELAAR	XAM-N25023A
97	SCHAKELAARKNOP	XAM-N18006A



S-2300

POS.	OMSCHRIJVING	ONDERDEELNR
1	VOETPLAAT S-2300	XST-79800820
2	HELICOIL S-2300	XST-FG101500
3	TUSSENRING M10 S-2300	XST-FS100000
4	ZESKANTMOER S-2300	XST-FM100000
5	STELBOUT S-2300	XST-79800280
6	KLEMPLAAT S-2300	XST-79800260
7	KOLOMBOUT S-2300	XST-79800250
8	KLEMBLOK TBV CENTREERPEN S-2300	XST-79800430
9	CENTREERPEN S-2300	XST-79800420
10	VLEUGELBOUT S-2300	XST-F4001300
11	KOLOM-AANSLAG S-2300	XST-79800270
12	WIELBUS S-2300	XST-79800550
13	WIEL S-2300	XST-F0033000
14	ZESKANTBOUT S-2300	XST-FB106500
15	KOLOM S-2300	XST-79800310
16	STICKER DIEPTE-AANDUIDING S-2300	XST-79220900
17	STICKER HOEK-AANDUIDING S-2300	XST-79221000
18	IMBUSBOUT S-2300	XST-FBC05000
19	TUSSENRING M10 S-2300	XST-FS10K100
20	ACHERSCHOOR S-2300	XST-79800390
21	BOUT MET BINNENSCHROEFDRAAD S-2300	XST-FBE12250
22	KLEMBLOKJE S-2300	XST-79800400
23	GLIJBLOK ACHTERSCHOOR S-2300	XST-79800870
24	BOUT TBV KLEMBLOKJE S-2300	XST-79800410
25	HANDGREEP S-2300	XST-7980086A
26	BOLKOPSCROEF S-2300	XST-FBE12400
27	BOVENPLAAT KOLOM S-2300	XST-79800350
28	MONTAGESCHROEF S-2300	XST-FF363000
29	VOETJE S-2300	XST-F4261100
30	SLIDE BLOCK S-2300	XST-79800840
31	GLIJBLOK S-2300	XST-79230100
32	STELSCHROEF S-2300	XST-79800230
33	LAGERBUS S-2300	XST-79800090
34	LAGERBUS S-2300	XST-ET019A00
35	TUSSENRING S-2300	XST-FS20P300
36	ZEKERINGSRING S-2300	XST-FR020000
37	PRESSURE THREAD S-2300	XST-79800380
38	KOGELKLEM S-2300	XST-F4261000
39	HELICOIL S-2300	XST-FG121500
40	WATERPAS RECHT S-2300	XST-79800540
41	LIBELLE RECHTHOEK S-2300	XST-A5026000
42	WATERPAS ROND S-2300	XST-F1066000
43	IMBUSBOUT S-2300	XST-FBC82500
44	TYPEPLAATJE S-2300	XST-FBC01200
45	DRAAISTANG COMPLEET S-2300	XST-79800620
46	DRAAISTANG COMPLEET S-2300	XST-79800110
47	MOTORMONTAGEPLAAT S-2300	XST-7B05B100