

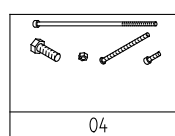
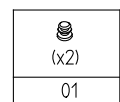
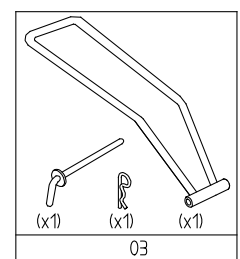
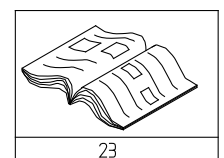
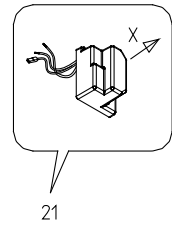
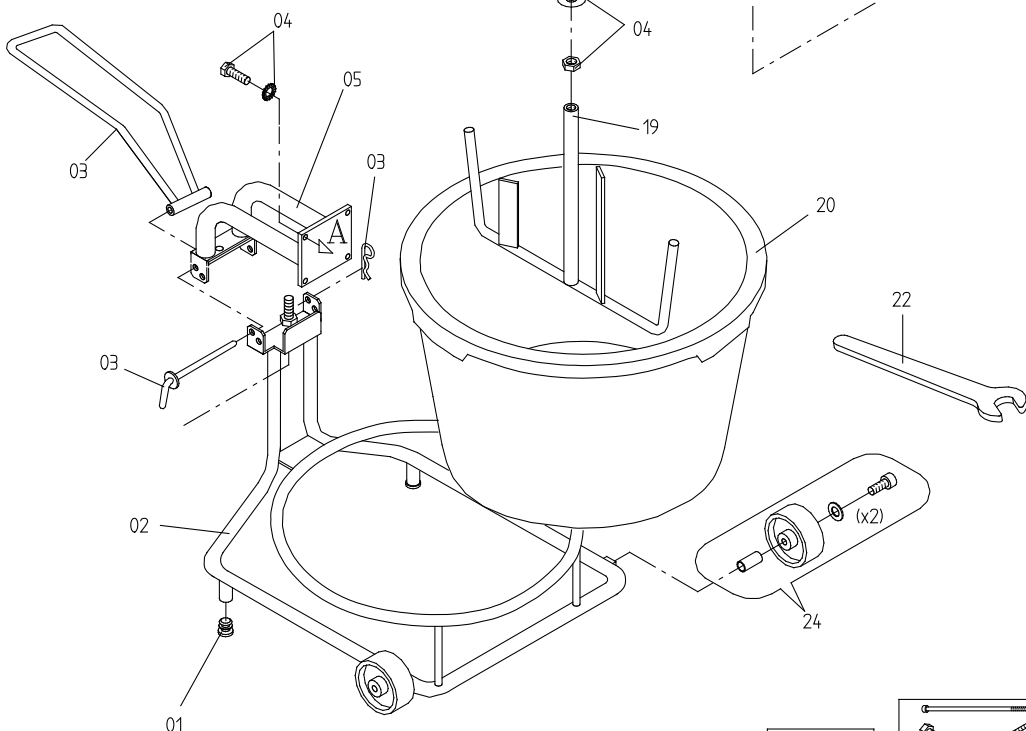
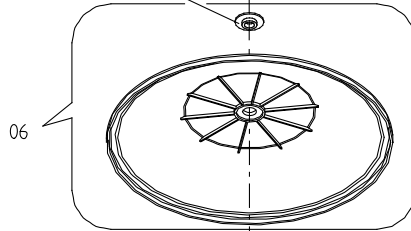
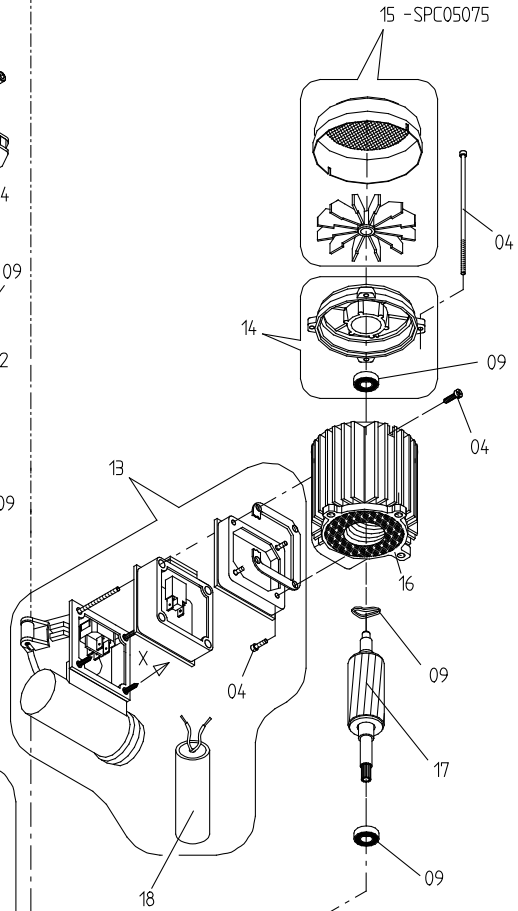
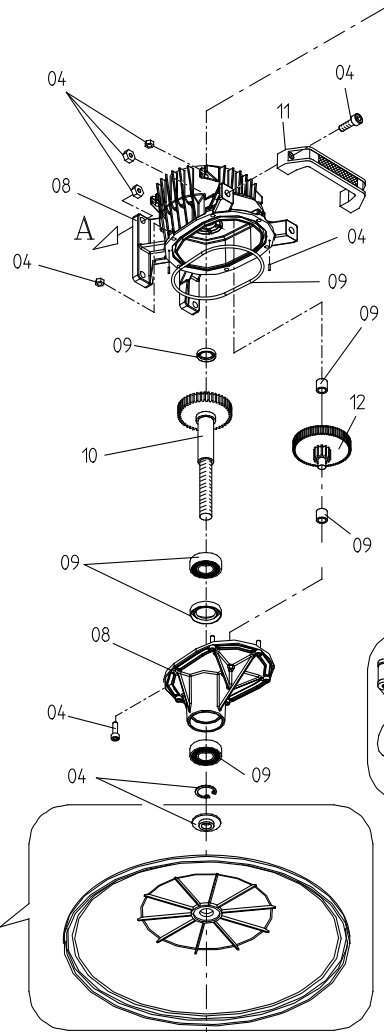
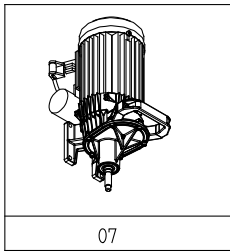
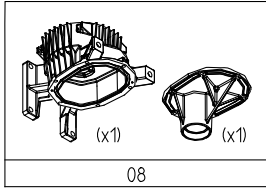
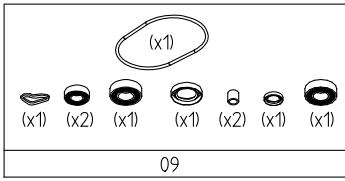


CARAT

MIXER 50 SUPER

ART. NR:
DATUM:

BUI005S000
01/01/2012





MIXER 50 SUPER

POS.	OMSCHRIJVING	ONDERDEELNR
1	RUBBER DOP CHASSIS	XSPC05070000
2	CHASSIS COMPL.	XSPC05004C00
3	DUWBEUGEL COMPL.	XSPC05012C00
4	SCHROEVEN/MOERENSET	XSPC05022000
5	MOTORBEUGEL COMPL.	XSPC05003000
6	AFDEKPLAAT COMPL.	XSPC05023000
7	MOTOR COMPL. 230V	XSPC05055CS0
8	TANDWIELBAK COMPL.	XSPC05045000
9	LAGER/RINGENSET	XSPC05057000
10	TANDWIELAS	XSPC05031000
11	KUNSTSTOF HANDGREEP	XSPC03055000
12	TANDWIEL	XSPC09030000
13	SCHAKELAAR COMPL.	XSPC05071S00
14	VELD COMPL. 230V	XSPC05001-13
15	VENTILATOR + KAP	XSPC05075000
16	VELD 230V	XSPC05001-1S
17	ANKER	XSPC05001-2S
18	CONDENSATOR 20Mf	XSPC05071-7S
19	GARDE	XSPC05001000
20	KUIP 65L.	XSM036-000
21	KANTELVEILIGHEID	XSPC05083R00
22	STEEKSLEUTEL 22	XSPC05009000
23	HANDLEIDING	XSPC05066000
24	WIELSET COMPL.	XSPC80044000